



VACUUM AND/OR VACUUM-BLOWING IRONING TABLE

Series 388



Features and strength

Heated to keep work surface dry .
Utility shape for multipurpose operation .
Integrated vacuum fan holds the garment in place
and dry the fabric after pressing .

Main options

Built-in boiler 5 lt, 4 kW for independent
unit , complete of electric steam iron
Swinging arm with heated sleeve arm
Steam gun
Lighting device
Steam iron suspension
Electric steam iron group
Anti shine Teflon Shoe
Vacuum and blowing motor 0,80 Hp
Iron rest



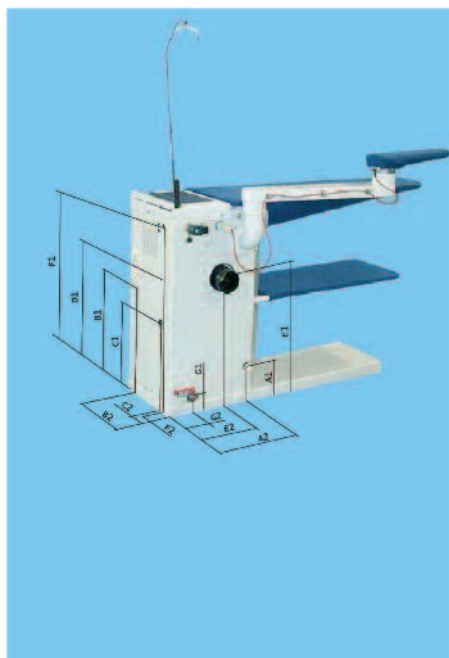
Made in Italy with Italian Fashion Mind



TECHNICAL FEATURES SERIES 388

		388/A	388/AC	388/S	388/SC	388/SMC	388/SM
Electric Connections							
Standard voltage							
230V-1Ph-50Hz	kW	2		2			2
400V-3Ph-50Hz	kW		7		7	8	
other voltages available on request							
Vacuum and blowing fan power	kW	0,60	0,60	0,60	0,60	0,75	0,77
Steam air & water connection							
Steam inlet	inch	1/4 "		1/4 "			1/4 "
Steam outlet	inch	3/8 "		3/8 "			3/8 "
Steam supply	bar	3,5		3,5			3,5
Steam consumption	kg/h	3		3			3
Compressed Air inlet	inch			1/4 "	1/4 "		
Compressed Air consumption	bar			25	25		
Compressed Air supply	bar			5	5		
Water inlet	inch		1/2 "		1/2 "	1/2 "	
Water drainage	inch		1/2 "		1/2 "	1/2 "	
Vacuum outlet	mm	100	100	100	100	100	100
Boiler capacity	lt		5		5	5	
Shipping details							
Packing type		Pallet+carton box 1650x550x1000 h mm.					
Packing size	mm	2000 x 2300 x 1600H					
Net weight	kg	70	110	80	110	110	80
Gross weight	kg	90	130	100	130	130	100

DESCRIPTION	mm		mm		DIMENSION
PVT 36					
WATER INLET	A1	165	A2	85	3/4"
ELECTRIC POWER	B1	490	B2	275	
CONDENSATION RETURN	C1	325	C2	100	3/8"
AIR EXHAUST	E1	570	E2	310	Ø.100
STEAM	F1	770	F2	70	3/8"
BOILER DISCHARGE	G1	110	E2	310	1/2"
PVT 31					
ELECTRIC POWER	B1	490	B2	275	
CONDENSATION RETURN	D1	570	F2	70	3/8"
AIR EXHAUST	E1	570	E2	310	Ø.100
STEAM	F1	770	F2	70	3/8"
PVT 30					
ELECTRIC POWER	B1	490	B2	275	
AIR EXHAUST	E1	570	E2	310	Ø.100



ROTONDI group Srl
 Via Fratelli Rosselli, 14/16
 20019 Settimo Milanese (Milano) - Italia
 Tel. (+39) 02.335.01.224 - Fax (+39) 02.335.01.329
 E-mail: rotondi@rotondigroup.it
www.rotondigroup.com

Agente: